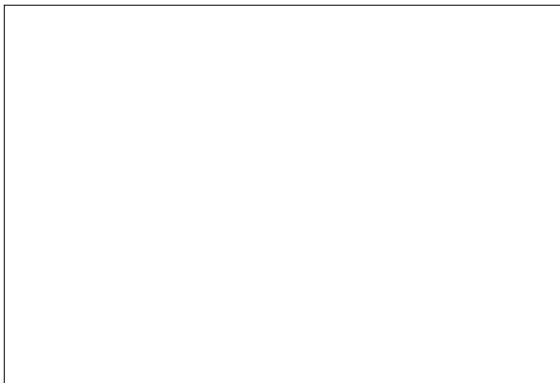


SMDT-250



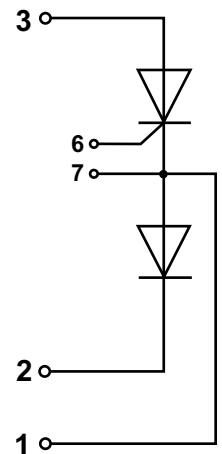
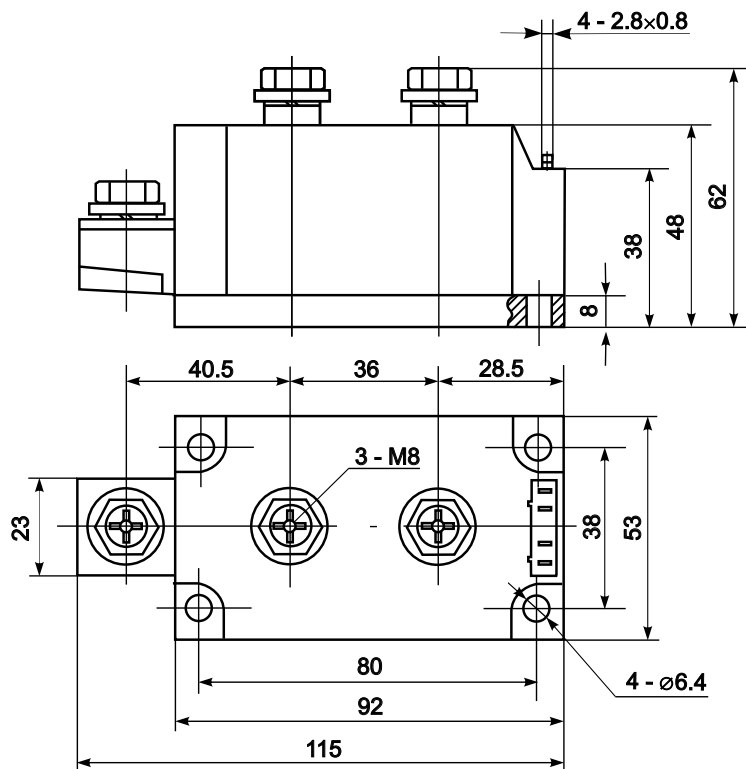
Diode-Thyristor Module



Type	V_{RSM}	V_{RRM} , V_{DRM}
SMDT-250-08	900	800
SMDT-250-12	1300	1200
SMDT-250-14	1500	1400
SMDT-250-16	1700	1600
SMDT-250-18	1900	1800

www.DataSheet4U.com

Type	I_{TAVM} , I_{FAVM}	I_{TRMS} , I_{FRMS}	T_c	I_{TSM} , I_{FSM}	$(di/dt)_{cr}$	$(dv/dt)_{cr}$	V_{TM}	I_{TM} , I_{FM}	V_{TO}	r_T	t_q	V_{GT}	I_{GT}	T_{VJM}	V_{isol}	R_{thJC}
	A	A	°C	kA	A/μs	V/μs	V	A	V	mΩ	μs	V	mA	°C	V	K/W
SMDT-250	250	420	85	8.2	150	500	1.72	750	0.85	1.1	150	2.5	180	125	2500	0.12



Features:

- Industrial standard package
- Heat transfer through aluminium nitride ceramic isolated metal baseplate
- Precise internal pressure contacts for high reliability
- 2500V RMS isolation voltage

Typical Applications:

- DC motor control
- AC motor soft starter
- Temperature control (e.g. for ovens, chemical processes)
- Lighting control